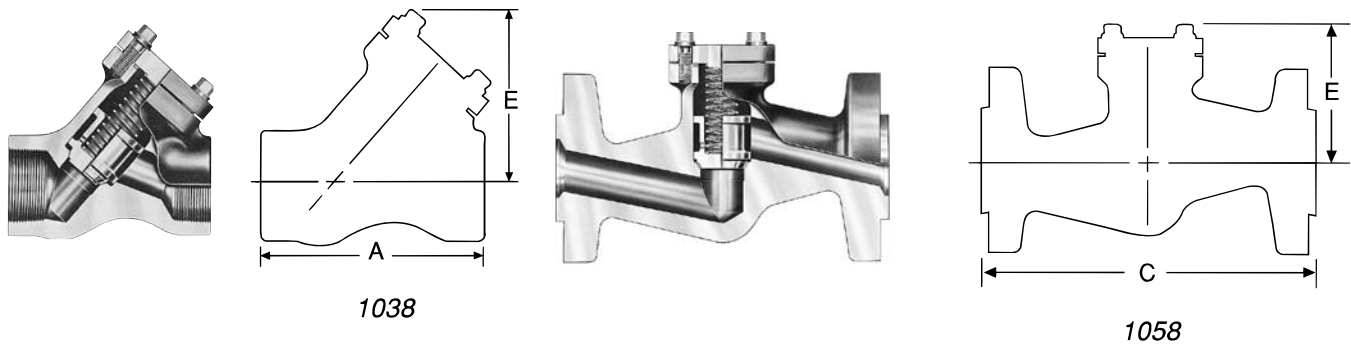


Piston Check Valves

Series 1500 3600 PSI @ 100°F (248.3 BAR @ 38°C)

These Series 1500 valves are designed and rated to Flowserve Edward Valves standards. See 3.2 Pressure Ratings in the Technical Information section for additional information.



Standard Features

- Bodies and covers are of forged steel (A105 or F11).
- Bolted cover.
- Y-Pattern or globe design.
- Body-guided hardened stainless steel disk.
- Integral Stellite seat.
- Asbestos-free spiral wound cover gasket.
- Stainless steel spring.

Series 1500

FIG. NO.	TYPE	ENDS	NPS (DN)
1038	Y-Pattern	Threaded	¼ (8) thru 2 (50)
1038Y	Y-Pattern	Socket Welding	
1058 (F11)	Globe	Flanged	½ (15) thru 2 (50)

Dimensions - Globe

Black numerals are in inches and pounds
Colored numerals are in millimeters and kilograms

Figure No. 1038/1038Y	NPS	¼	3/8	½	¾	1	1¼	1½	2
	DN	8	10	15	20	25	32	40	50
A - End to End		3	3	3	3.6	4.3	5.8	5.8	6.5
		76	76	76	91	109	147	147	165
E - Center to Top		2.8	2.8	2.8	3.3	3.8	4.6	4.6	5.1
		71	71	71	84	97	117	117	130
Weight		2.5	2.5	2.5	3.5	5.5	11	11	15
		1.1	1.1	1.1	1.6	2.5	5	5	6.8

Dimensions - Globe

Black numerals are in inches and pounds
Colored numerals are in millimeters and kilograms

Figure No. 1058	NPS	½	¾	1	1¼	1½	2
	DN	15	20	25	32	40	50
C - Face to Face (Flanged)		8.5	9	10	12	12	14.5
		216	229	254	305	305	368
E - Center to Top		2.7	3.1	3.1	4.2	4.2	4.7
		69	79	79	197	107	119
Weight		14	17	24	32	41	69
		6.3	7.7	10.8	14.4	18.5	31.1